

INSTRUCTIONS FOR USE

A-dec 511 Dental Chair

Copyright

© 2015 A-dec Inc. All rights reserved.

A-dec Inc. makes no warranty of any kind with regard to this material, including, but not limited to, the implied warranties of merchantability and fitness for a particular purpose. A-dec Inc. shall not be held liable for any errors contained herein or any consequential or other damages concerning the furnishing, performance or use of this material. The information in this document is subject to change without notice. If you find any problems in the documentation, please report them to us in writing. A-dec Inc. does not warrant that this document is error-free.

No part of this document may be copied, reproduced, altered, or transmitted in any form or by any means, electronic or mechanical, including photocopying, recording, or by any information storage and retrieval system, without prior written permission from A-dec Inc.

Trademarks and Additional Intellectual Property Rights

A-dec, the A-dec logo, A-dec 500, A-dec 300, Cascade, Cascade Master Series, Century Plus, Continental, Decade, ICX, ICV, Performer, Preference, Preference Collection, Preference ICC, and Radius are trademarks of A-dec Inc. and are registered in the United States and other countries. A-dec 400, A-dec 200, Preference Slimline, and reliablecreativesolutions are also trademarks of A-dec Inc. None of the trademarks or trade names in this document may be reproduced, copied, or manipulated in any manner without the express, written approval of the trademark owner.

Certain touchpad symbols are proprietary to A-dec Inc. Any use of these symbols, in whole or in part, without the express written consent of A-dec Inc., is strictly prohibited.

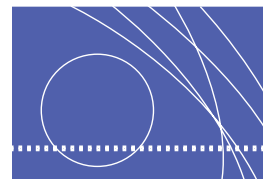
Regulatory Information

Regulatory information mandated by agency requirements is provided in the *Regulatory Information, Specifications, and Warranty* document (p/n 86.0221.00), which is available in the Document Library at www.a-dec.com.

Product Service

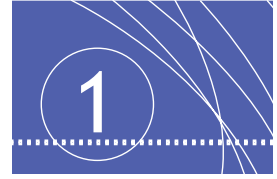
Product service is available through your local authorized A-dec dealer. For service information, or to locate an authorized dealer, contact A-dec at 1.800.547.1883 in the USA and Canada or 1.503.538.7478 worldwide, or visit www.a-dec.com.

CONTENTS



1 Introduction	1
About Your A-dec 511 Chair	1
2 Basic Operation	3
Power On/Off Button	3
Chair Stop Plate.....	3
Swivel Brake	3
Status Icon.....	4
Chair Positioning	4
Manual Controls.....	5
Programmable Controls	5
Program Chair Preset Positions	5
Customize the X-Ray/Rinse Button	5
Touchpad Chair Controls.....	6
Double-Articulating Gliding Headrest.....	6
How to Position for Wheelchairs.....	7
Multi-Position Armrests	8
Patient Entry/Exit	8
Working Direct	8
Patient Positioning.....	8
3 Adjustments and Maintenance	9
Swivel Brake Tension	9
Glide Bar Tension.....	10
Floor Box Utilities	10
Barrier Protection.....	11
Upholstery	11
Appendix: Specifications and Warranty	12
Specifications	12
Chair Capacity	12
Warranty	12

INTRODUCTION



Thank you for choosing A-dec equipment. This guide contains basic operating instructions, adjustments, and maintenance for the A-dec 511 dental chair.

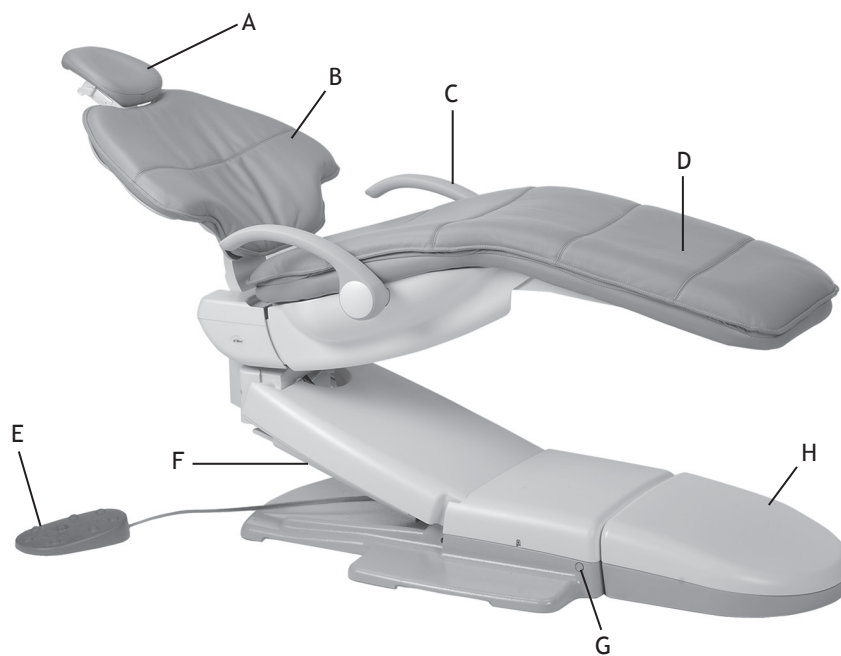
About Your A-dec 511 Chair

The A-dec 511 chair (shown in Figure 1) represents the culmination of superior access, ultra comfort, and smooth, quiet operation. See Figure 2 on page 2 for a list of features.

Figure 1. A-dec 511 Chair



Figure 2. A-dec 511 Chair Features



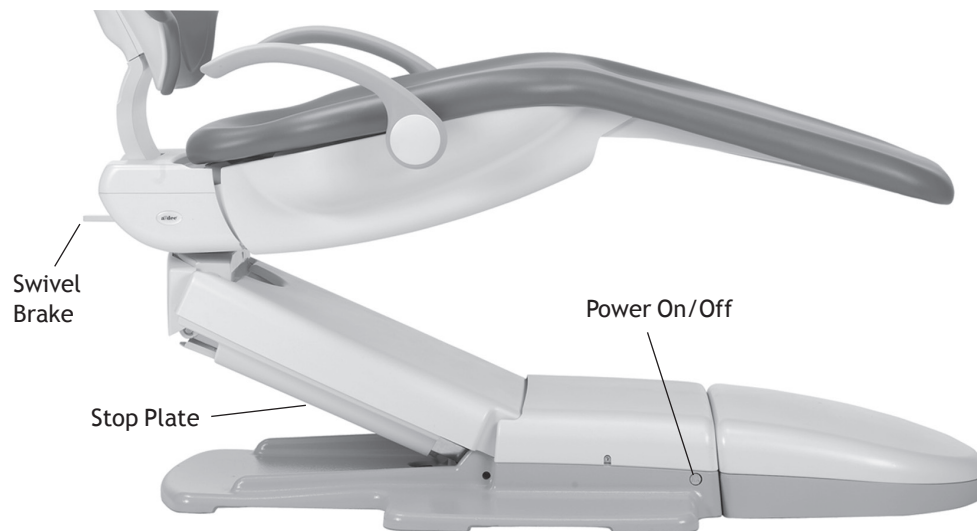
Item	Description
A	Double-Articulating Headrest
B	Back Upholstery
C	Multi-Position Armrests
D	Seat Upholstery/Toeboard
E	Footswitch
F	Chair Stop Plate
G	Power On/Off Button
H	Floor Box

BASIC OPERATION

Power On/Off Button

The power on/off button is located on the base of the chair. When the button is pressed in, the chair and any attached systems have power. When the button is out, the chair and any attached systems have no power.

Figure 3. Chair Power and Stop Plate



Chair Stop Plate

If an object presses against the chair stop plate (see Figure 3) as the chair is lowered, a limit switch will interrupt and reverse the chair motion to prevent damage. Should anything inadvertently become lodged under the chair, press  on the footswitch or touchpad to raise the chair so the object can be removed. As long as pressure is applied to the stop plate, the chair will not move down.

Swivel Brake

The chair can rotate to any position within 30° either side of center. The chair swivel brake (see Figure 3) restricts rotation of the chair to keep the chair from moving during a procedure. To engage the brake, pull the brake lever firmly to the left. To release the swivel brake, pull the brake lever to the right.

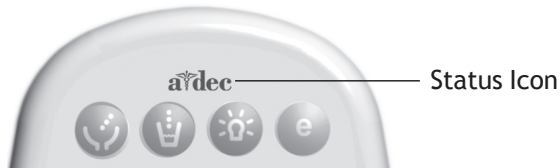
Status Icon

When an A-dec 300 or A-dec 500 system is installed on the chair, the A-dec logo on the touchpad illuminates, indicating the status of the chair (see Figure 4).

- Solid blue – normal operation and power is on.
- Blinking – chair stop plate or cuspidor limit switch is active.

The icon returns to solid blue once you remove any obstructions.

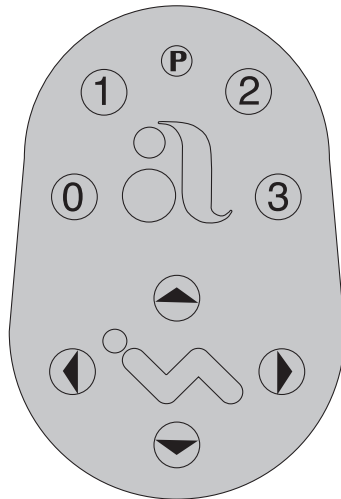
Figure 4. Status Icon



Chair Positioning

You can operate the chair manually or using programmed presets from the A-dec delivery system touchpad or the chair footswitch (see Figure 5). See the following section for footswitch operations.

Figure 5. Footswitch Controls



Icon/Number	Action
	Back Down
	Back Up
	Base Down
	Base Up
	Program Button
	Entry/Exit. Automatically positions chair for patient entry/exit.
	Treatment 1. Automatically positions the chair base and back in a supine operating position.
	Treatment 2. Automatically positions the chair base and back in an operating position for working direct.
	X-Ray/Rinse. Automatically positions the chair base and back for either x-ray or rinse. Toggles between this position and the last manual setting.

Manual Controls

The Base Up/Base Down buttons raise and lower the chair (see Figure 5 on page 4). Press the up or down arrows on the footswitch and hold until the chair reaches the desired position.

The Back Up/Back Down buttons control the chair back motion (see Figure 5 on page 4). Press the right or left arrows on the footswitch and hold until the back reaches the desired position.

Programmable Controls

Use the program button (P), located on the top middle of the footswitch) to assign and save the programmed chair positions (see Figure 5 on page 4).



WARNING Ensure that the patient is positioned safely before using the chair preset functions. Always take extra care with small children and patients with limited mobility. Never leave the patient unattended while the chair is in motion. To stop chair motion at any point, push any chair positioning button on the footswitch or touchpad.

Program Chair Preset Positions

To program the chair preset positions Entry/Exit, Treatment 1, and Treatment 2:

1. Use the manual controls to adjust the chair position as desired.
2. Press and release (P). One beep indicates programming mode.
3. Press the chair position button you wish to reset (for example, press ①). Three beeps indicates the new setting is programmed into memory.

Customize the X-Ray/Rinse Button

The X-ray/Rinse functions either as X-ray/Rinse or as a programmable position. To customize:

1. Press and hold buttons (P) and ③ simultaneously for three seconds.
 - One beep indicates the button has been configured as Treatment 3.
 - Three beeps indicates the X-ray/Rinse button has been configured as the X-ray/Rinse function (toggles between the X-ray/Rinse and the previous position).
2. Program the preset position as instructed in “Program Chair Preset Positions” above.



TIP If X-ray/Rinse is changed to a preset position, it operates the same as Treatment buttons 1 and 2.

Touchpad Chair Controls

Your touchpad chair controls (see Figure 6) work similarly to the footswitch, but vary depending on your delivery system. To use and program chair functions on your touchpad, please reference the *Instructions For Use* that came with your delivery system.

Figure 6. A-dec Touchpad Examples



Note: Touchpad symbols are proprietary to A-dec Inc.

Double-Articulating Gliding Headrest

The double-articulating gliding headrest includes several adjustment features that improve your access to the oral cavity and increase patient comfort.

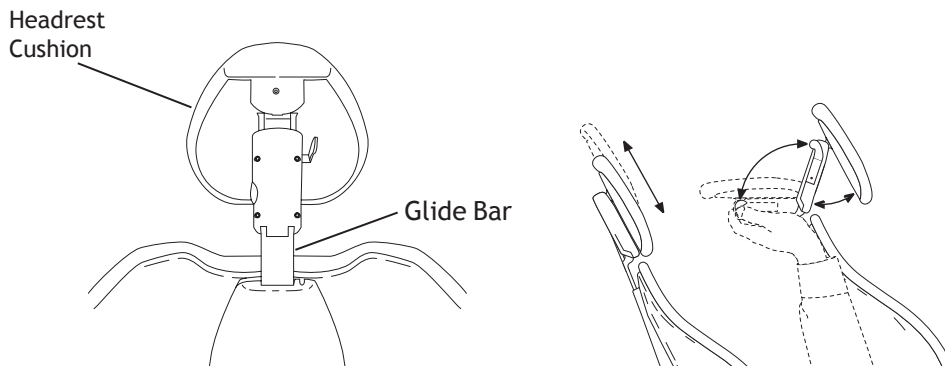
Use the glide bar (see Figure 7) to accommodate a variety of patient heights. Simply pull up or push down on the headrest until it is in the desired position. The gliding headrest cushion provides additional height adjustment.



WARNING If the glide bar has exceeded its maximum recommended working height, a warning line will be visible on the patient's side of the glide bar. Do not use the headrest in a position where this warning line is visible.

You can easily adjust the headrest angle using one hand. Press the adjustment lever to position the headrest. Release, and the headrest holds its position (see Figure 7).

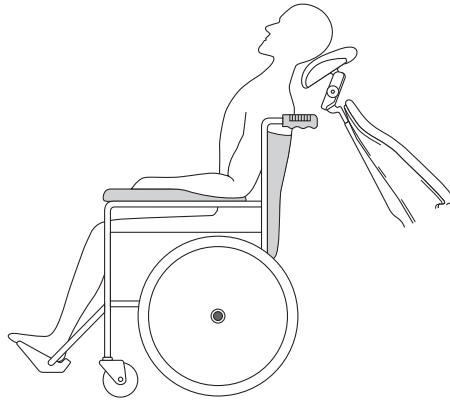
Figure 7. Double-Articulating Gliding Headrest



How to Position for Wheelchairs

The double-articulating gliding headrest can be used to accommodate patients in wheelchairs, as shown in Figure 8.

Figure 8. Positioning for Wheelchairs



To position the headrest for wheelchairs:

1. Slide the headrest glide bar up until it is free from the dental chair.
2. Rotate the headrest 180° and slide the glide bar into the backrest. Ensure that the glide bar is pushed completely into the backrest.
3. Position the dental chair to its full back-up position.
4. Once the headrest is repositioned, adjust the height by moving the dental chair up or down. The patient should be positioned so the wheelchair and the dental chair are back to back.
5. Ensure that the wheels of the wheelchair are locked.

Multi-Position Armrests

The armrests are designed to allow easy access for both you and the patient.

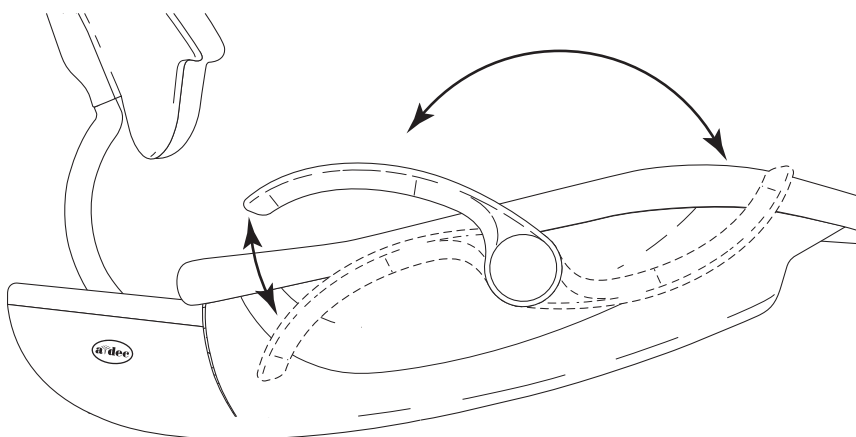
Patient Entry/Exit

Lift the armrest slightly to unlock it, and lower it into the entry/exit position. To reposition the armrest, lift the armrest back into the standard position (see Figure 9).

Working Direct

Rotate the armrest toward the toe of the chair, and lower it into the operator access position. To reposition the armrest, lift up and rotate it into the standard position.

Figure 9. Positioning Armrests



Patient Positioning

To properly seat patients in the chair, ask the patient to sit as far back in the seat pocket as possible. This ensures the best alignment with the lumbar support and headrest.

For optimal comfort, patients should place their forearms on the armrests or keep their arms comfortably folded on their lap.



WARNING Do not allow patients to drop their arms behind the armrests or under the backrest during chair movement. Ensure that the patient is positioned safely before using the chair preset functions. Always take extra care with small children and patients with limited mobility. Never leave the patient unattended while the chair is in motion.

To stop chair motion at any point, push any chair positioning button on the footswitch or touchpad.

ADJUSTMENTS AND MAINTENANCE



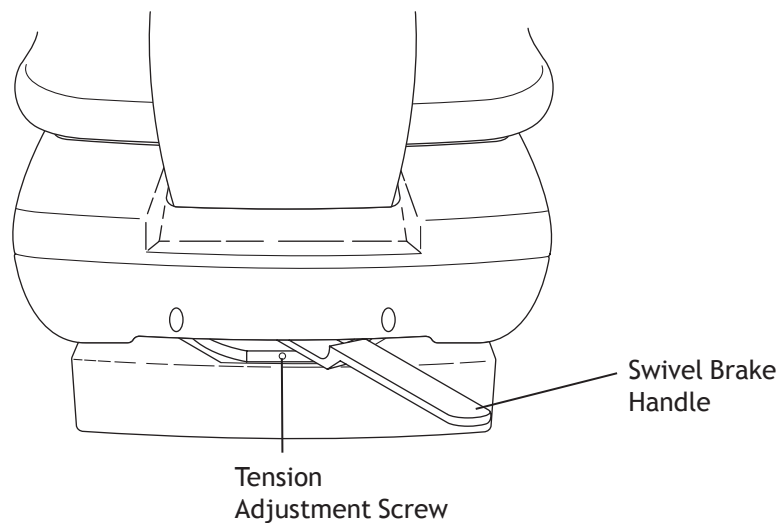
The following section covers built-in adjustment points and features designed to help simplify maintenance of your A-dec 511 chair. These include:

- Swivel Brake Tension
- Glide Bar Tension
- Monitor Mount Drift and Tension
- Upholstery Replacement
- Floor Box
- Care and Asepsis

Swivel Brake Tension

If the chair swivels left or right with the brake engaged, or if it is difficult to move with the brake disengaged, adjust the swivel brake tension. To adjust the tension, use a hex key and turn the tension adjustment screw clockwise to increase brake friction or counterclockwise to decrease brake friction (see Figure 10).

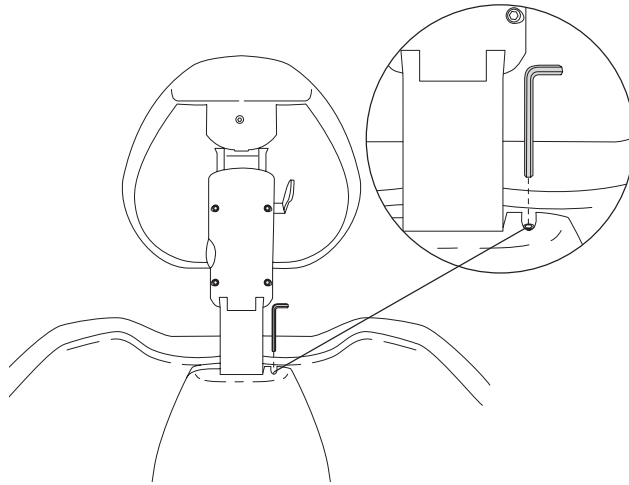
Figure 10. Chair Power and Stop Plate



Glide Bar Tension

If the headrest drifts downward, or if it is difficult to move up or down, the glide bar tension needs to be adjusted. To adjust the tension, use a hex key and turn the tension adjustment screw clockwise to increase friction or counterclockwise to decrease friction (see Figure 11).

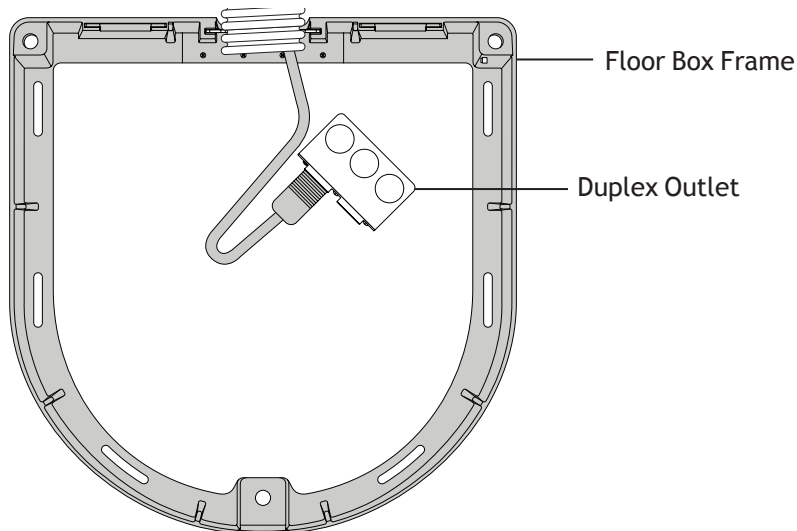
Figure 11. Glide Bar Tension Adjustment



Floor Box Utilities

The utilities for A-dec 511 chair-mounted delivery systems are located in the contoured floor box under your chair. To maintain these utilities, see the *Instructions For Use* that came with your system. If you have a chair-only configuration, you may still have a floor box that hides the power cord and duplex outlet (see Figure 12). To access, remove the cover by lifting up and off the floor box frame.

Figure 12. Chair-Only Floor Box



Barrier Protection

A-dec recommends barrier protection for all applicable touch and transfer surfaces. Touch surfaces are areas that come into contact with hands and become potential cross-contamination points during dental procedures. Transfer surfaces are areas that come into contact with instruments and other inanimate objects.

In the USA, barriers must be produced under the Current Good Manufacturing Practice (CGMP) as specified by the U.S. Food and Drug Administration (USFDA). For regions outside the USA, refer to the medical device regulations specific to your location.



CAUTION If you use barriers, always replace the barrier film after each patient.



IMPORTANT For recommendations on cleaning and chemical disinfection of touch and transfer surfaces (where barrier protection is not applicable or when barriers are compromised), please see the *A-dec Equipment Asepsis Guide* (p/n 85.0696.00) included with your equipment. This document is also available at www.a-dec.com in the Document Library.

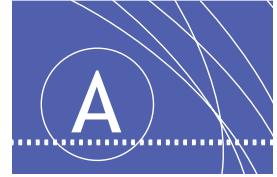
Upholstery

To preserve the quality of your A-dec upholstery, use barrier covers instead of relying on chemicals. Barriers significantly extend the life of the upholstery and will help to preserve its luxurious look and soft feel. To clean the upholstery, use a solution of mild detergent and water. Use surface disinfectants only when the barriers have been compromised or if there is visible spatter on the upholstery.



CAUTION Minimize the use of surface disinfectants on the upholstery. Chemicals can cause deterioration and shorten the life of upholstered surfaces. For recommendations on maintaining your A-dec upholstery, see the *Upholstery Maintenance Guide* (p/n 86.0501.00), which is located on www.a-dec.com.

APPENDIX: SPECIFICATIONS AND WARRANTY



Specifications

Chair Capacity

Patient Load: 400 lb (181 kg) maximum

Accessory Load: 250 lb (113 kg) maximum



NOTE Ensure that the chair was bolted to the floor during installation.



For chair accessory load capacity, electrical specifications, identification of symbols, and other regulatory requirements, see the *Regulatory Information, Specifications, and Warranty* document (p/n 86.0221.00), which is available in the Document Library at www.a-dec.com.



NOTE Specifications are subject to change without notice. Requirements may vary depending on your location. For more information, contact your authorized A-dec dealer.

Warranty

Warranty information is provided in the *Regulatory Information, Specifications, and Warranty* document (p/n 86.0221.00), which is available in the Document Library at www.a-dec.com.



A-dec Headquarters

2601 Crestview Drive
Newberg, Oregon 97132
United States
Tel: 1.800.547.1883 within USA/CAN
Tel: +1.503.538.7478 outside USA/CAN
Fax: 1.503.538.0276
www.a-dec.com

A-dec Australia

Unit 8
5-9 Ricketty Street
Mascot, NSW 2020
Australia
Tel: 1.800.225.010 within AUS
Tel: +61.(0).2.8332.4000 outside AUS

A-dec China

A-dec (Hangzhou) Dental Equipment Co., Ltd.
528 Shunfeng Road
Qianjiang Economic Development Zone
Hangzhou 311106
Zhejiang, China
Tel: +1.503.538.7478

A-dec United Kingdom

Authorized EU Representative
Austin House, 11 Liberty Way
Nuneaton, Warwickshire CV11 6RZ
England
Tel: 0800.ADEC.UK (2332.85) within UK
Tel: +44.(0).24.7635.0901 outside UK



86.0602.00 Rev F
Copyright 2014 A-dec Inc.
All rights reserved.